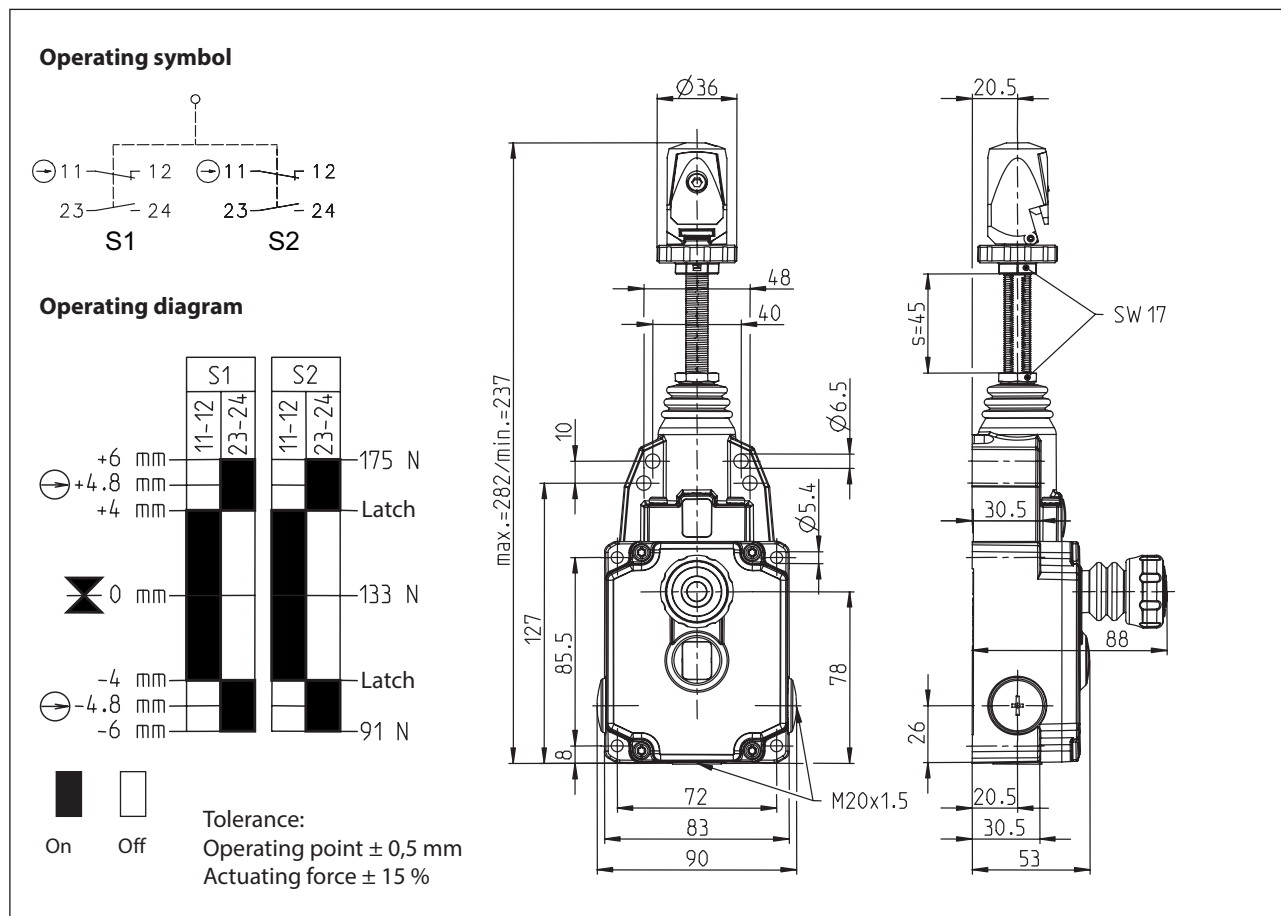


Rope pull switch Series SRM

Description **SRM-U1Z/U1Z-QF-175**

Article number **6012929085**



Electrical data

| | | |
|---------------------------------|-----------|--|
| Rated insulation voltage | U_i | 250 V AC |
| Conv. thermal current | I_{the} | 10 A |
| Rated operational voltage | U_e | 240 V |
| Utilization category | | AC-15, U_e / I_e 240 V / 3 A, U_e / I_e 120 V / 6 A DC-13, U_e / I_e 250 V / 0,27 A, U_e / I_e 125 V / 0,55 A |
| Direct opening action | | acc. to IEC/EN 60947-5-1, Annex K |
| Short-circuit protective device | | Fuse 6 A gG |
| Protection class | | I |

| Mechanical data | |
|--------------------------|--|
| Enclosure | Al-die cast |
| Cover | Al-die cast |
| Actuator | Quick clamping device with integrated turnbuckle (Zn-die cast) |
| Emergency Stop | PA, glass fibre reinforced |
| Ambient air temperature | -30 °C ... +80 °C (no freezing over/ no condensation) |
| Contact type | 2 NC, 2 NO (Zb) (2 built-in switches S1+S2) |
| Latching device | acc. to IEC 60947-5-5, DIN EN 60947-5-5, ISO 13850 (DIN EN 418) |
| Reset facility | pull of the emergency stop acc. to IEC/EN 60947-5-5 |
| Mechanical life | acc. to IEC 60947-5-5 max. 1 x 10 ⁵ operating cycles |
| Rope length | ≤ 37,5 m (depends on the max. temperature variation) |
| Rope Ø | D = Ø 2 - 5 mm |
| Switching frequency | ≤ 20/min. |
| Assembly | 4 x M6 or 4 x M5 |
| Connection | 8 screw terminals (M3,5) |
| Conductor cross-sections | Solid: 0,5 ... 1,5 mm ² Litz wire with ferrules: 0,5 ... 1,5 mm ² |
| Cable entrance | 3 x M20 x 1,5 |
| Weight | ≈ 1,0 kg |
| Installation position | Operator definable |
| Protection type | IP67 acc. to IEC/EN 60529 |

| ID for safety engineering | |
|---------------------------|----------------------------|
| B10d | 2 x 10 ⁵ cycles |

| Standards | |
|-----------|--|
| | VDE 0660 T100, DIN EN 60947-1, IEC 60947-1 |
| | VDE 0660 T200, DIN EN 60947-5-1, IEC 60947-5-1 |
| | VDE 0660 T210, DIN EN 60947-5-5, IEC 60947-5-5 |
| | ISO 13850 |
| | DIN EN ISO 13849-1 |

| EU Conformity | |
|---------------|------------------------------|
| | acc. to directive 2006/42/EC |

| Approvals | |
|-----------|-------------------------|
| | DGUV |
| | CCC |
| | cCSA _{US} A300 |

| Notes | |
|--|--|
| The degree of protection (IP code) specified applies solely to a property closed cover and the use of an equivalent cable gland with adequate cable. | |
| Maintenance-free installation. | |
| Rope with accessories is available on demand. | |